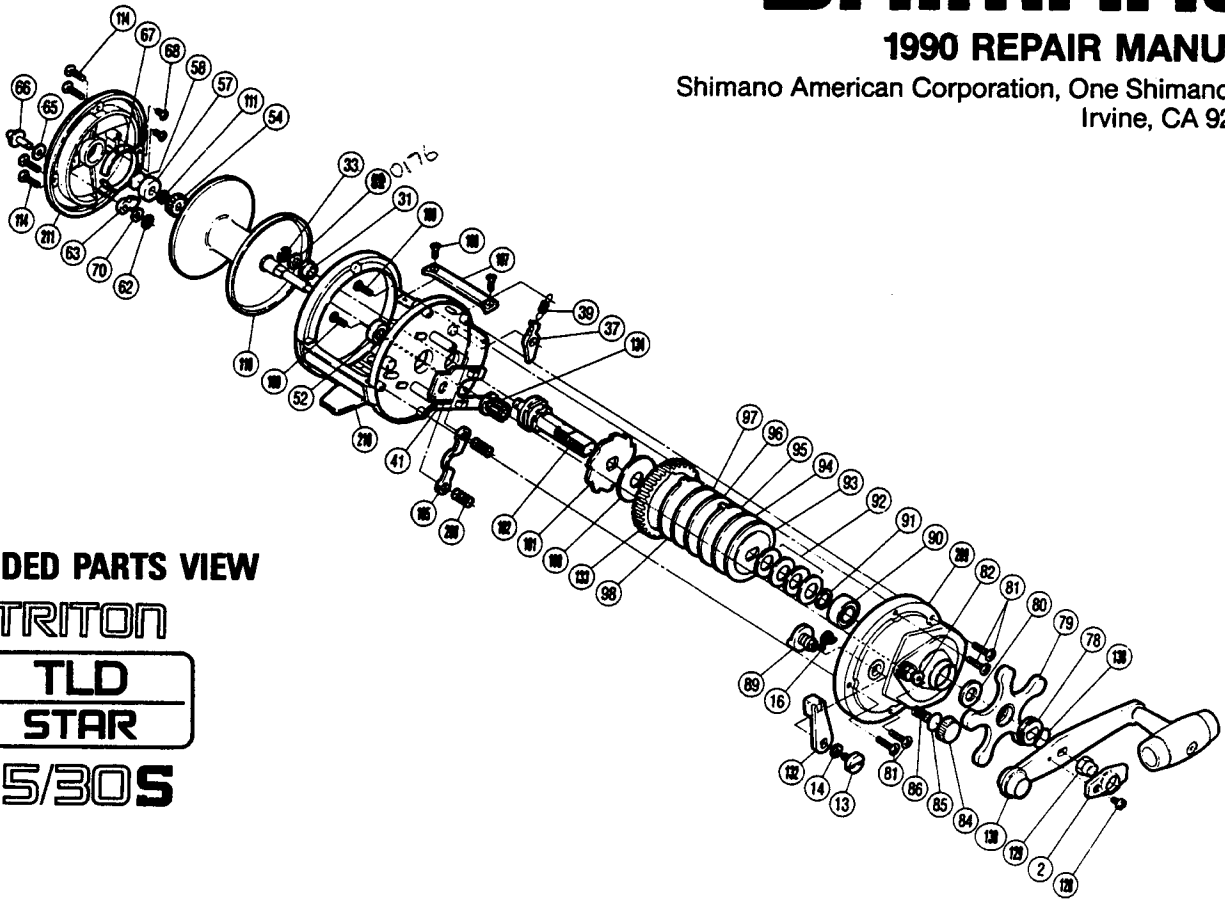


SHIMANO

1990 REPAIR MANUAL

Shimano American Corporation, One Shimano Dr.
Irvine, CA 92718



EXPLODED PARTS VIEW

TRITON

TLD
STAR

15/30S

TO ORDER: USE TGT PREFIX
WITH PART NUMBER

PARTS LIST

TGT #	DESCRIPTION	TGT #	DESCRIPTION	TGT #	DESCRIPTION
0002	Handle Nut Plate	0070	Spacer B	0101	Anti-Reverse Ratchet
0013	Clutch Lever Screw	0078	Handle Washer	0102	Drive Shaft
0014	Lock Washer	0079	Star Drag	0105	Yoke
0016	Clutch Spring	0080	Star Drag Washer	0107	Line Guard
0031	Drive Shaft Bushing	0081	Right Side Plate Screw [A]	0108	Line Guard Screw
0032	Spacer	0082	Spool Shaft Bushing	0109	Right Side Plate Screw [B]
0033	Drive Shaft Retainer	0084	Cast Control Cap	0110	Spool
0037	Anti-Reverse Pawl	0085	Spacer	0111	Click Gear Retainer
0039	Anti-Reverse Pawl Spring	0086	Spool Tension Spring	0114	Left Side Plate Screw
0041	Yoke Plate	0089	Clutch Cam	0128	Handle Nut Plate Screw
0052	Ball Bearing	0090	Ball Bearing	0129	Handle Nut
0054	Click Gear	0091	Bearing Thrust Washer	0130A	Handle Assembly
0057	Spool Shaft Bushing "B"	0092	Drag Spring Washer	0132	Clutch Lever
0058	Spacer "B"	0093	Key Washer "F"	0133	Drive Gear
0062	Click Pawl Retainer	0094	Drag Washer "D"	0134	Pinion Gear
0063	Click Pawl	0095	Eared Washer "E"	0138	"O" Ring
0065	Spacer A	0096	Drag Washer "I"	0208	Yoke Spring
0066	Click Button	0097	Key Washer "C"	0209	Right Side Plate
0067	Click Spring	0098	Eared Washer "B"	0210	Frame
0068	Click Spring Screw	0100	Drive Shaft Washer	0211	Left Side Plate